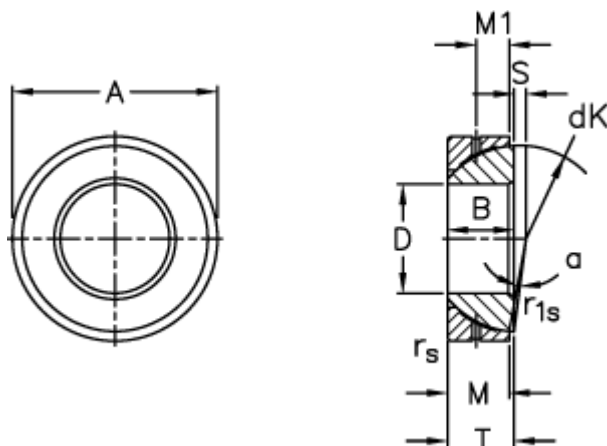


Article number: 03509190

Description: Fluro Rod end GE 190SX

Measures



A	= 290 0 -0,035	S	= 26
B	= 64	Static load C0 (kN)	= 6950
D	= 190 0 -0,030	T	= 64 +0,35 -0,80
dK	= 275	Tilt angle	= 0.5
Dynamic load C (kN)	= 1370	Weight	= 18200
M	= 62		
M1	= 30		
rs, r1s min	= 3		